

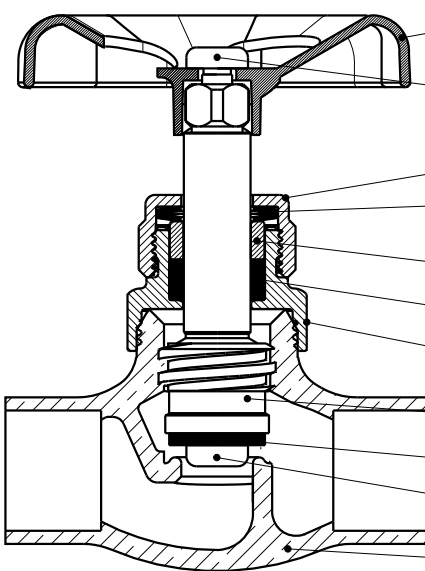
dahl-ECO #E2311

Stop - Straight

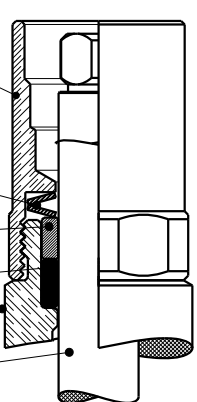
TDS-1016-LF
Rev June/16
Replaces TDS-202

Lead-Free Compliant - Plumbing

Shown with Standard Wheel Handle



Shown with Optional Lockshield Packing Assembly Detail



- Handle, Powder Coated Zinc
- Lockshield, Brass
- Screw, Stainless Steel
- Packing Nut, Brass
- Belleville Washers, Stainless Steel
- Gland, Brass
- Packing, EPDM
- Bonnet, Brass
- Spindle, Brass
- Disc, Buna Nitrile
- Screw, Stainless Steel
- Valve Body, Cast Brass

DO NOT DISMANTLE - SOLDER IN OPEN POSITION

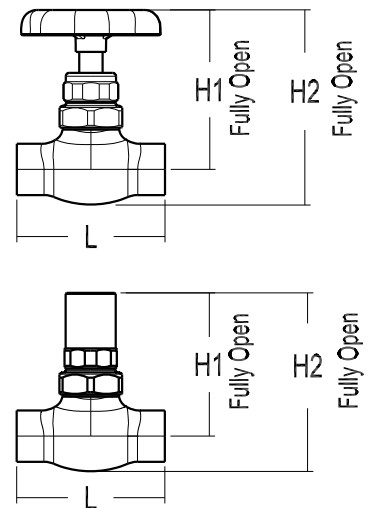
<ul style="list-style-type: none"> - Replaceable disc - Self-adjusting, spring loaded packing system 	<ul style="list-style-type: none"> - Working pressure/temperature: 200 psi / 250°F - Low friction packing - Designed and manufactured in Canada
--	--

With Standard Wheel Handle

E2311	Size (Inlet x Outlet)	Part Number	H1 _{Handle}	H2 _{Handle}	L _{Length}
	1/2C x 1/2C	E231144	2-5/8"	3-1/8"	2-1/4"
	3/4C x 3/4C	E231166	3"	3-1/2"	2-7/8"

With Tamper Resistant Lockshield

E2311-LS	Size (Inlet x Outlet)	Part Number	H1 _{Handle}	H2 _{Handle}	L _{Length}
	1/2C x 1/2C	E2311449901	2-1/4"	2-5/8"	2-1/4"
	3/4C x 3/4C	E2311669901	2-1/2"	3"	2-7/8"



CSA B125.3
NSF / ANSI 372



dahl brothers canada limited

2600 S. SHERIDAN WAY, MISSISSAUGA, ON, CANADA L5J 2M4
905-822-2330 CAN 800-268-5355 U.S. 800-268-2363
FAX(905) 855-1450, USA AND CANADA 800-226-1801
www.sales@dahlvalve.com www.dahlvalve.com

We reserve the right to alter prices and/or technical details without notice